

Hack10 Swivel Self Locking Hook

The Hack10 swivel self locking hook incorporates a special latch mechanism that locks itself automatically when it comes under load. Manual interaction of the latch trigger then allows disengagement of the locking mechanism once the load is relieved. It is also fitted with a ball bearing swivel attachment type which allows rotational movement of the hook, even when under load. As a result, this hook is commonly incorporated into single leg slings for use with crane pendant wires. Manufactured from alloy steel, the Hack10 swivel self locking hook is 25% stronger than a grade 8 equivalent, delivering a greater working load limit without the need for a larger diameter chain sling.

Standards: designed and manufactured in accordance with EN1677-1, ASTM A952/A952M, and DIN PAS 1061 and suitable for use in chain slings certified to EN818-4.

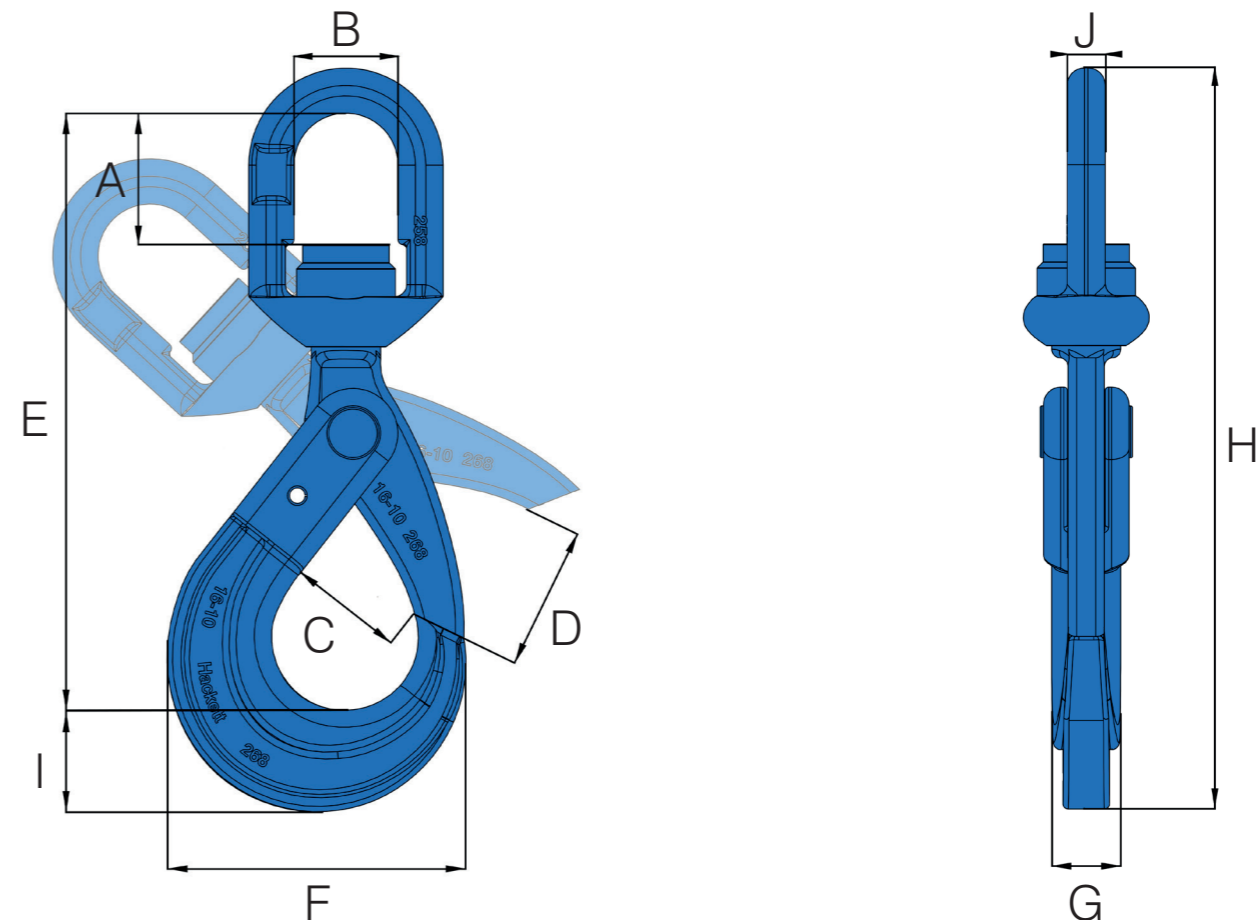
Product sizes: available for chain sizes from 8mm to 32mm and with working load limits from 2.5 tonnes to 40.0 tonnes.

Temperature: operational temperature range of - 40°C to + 200°C without reduction in working load limit.

Material: alloy steel.

Testing: crack detection following heat treatment, and proof load tested to 2.5 times working load limit.

Safety factor: 4 : 1.



Specifications

Part Code	Chain Size mm	A mm	B mm	C mm	D mm	E mm	F mm	G mm	H mm	I mm	J mm	Box Qty.	WLL tonnes	Mass kg
10-H14-08	8	40.0	41.0	35.0	38.0	203.0	90.0	21.5	244.0	26.0	13.0	12	2.5	1.21
10-H14-10	10	51.0	48.0	45.0	48.0	244.0	108.0	25.5	289.0	27.0	15.5	7	4.0	2.20
10-H14-13	13	59.0	55.0	53.6	63.0	295.0	138.0	32.0	354.0	40.0	17.0	4	6.7	4.40
10-H14-16	16	66.0	62.0	62.0	75.0	348.0	170.0	38.0	424.0	50.0	21.5	3	10.0	7.48
10-H14-20	20	76.0	76.0	76.0	85.0	399.0	191.0	50.0	489.0	62.0	26.5	2	16.0	12.68
10-H14-22	22	100.0	97.0	79.0	100.0	469.0	205.0	52.0	566.0	65.0	33.0	1	19.0	18.81
10-H14-26	26	119.0	123.0	100.0	107.0	565.0	251.0	60.0	688.0	81.0	42.0	1	26.5	31.40
10-H14-32	32	153.0	152.0	143.0	152.0	680.0	329.0	75.0	830.0	101.0	52.0	1	40.0	61.00

Hack10 Swivel Self Locking Hook

The Hack10 swivel self locking hook incorporates a special latch mechanism that locks itself automatically when it comes under load. Manual interaction of the latch trigger then allows disengagement of the locking mechanism once the load is relieved. It is also fitted with a ball bearing swivel attachment type which allows rotational movement of the hook, even when under load. As a result, this hook is commonly incorporated into single leg slings for use with crane pendant wires. Manufactured from alloy steel, the Hack10 swivel self locking hook is 25% stronger than a grade 8 equivalent, delivering a greater working load limit without the need for a larger diameter chain sling.

Standards: designed and manufactured in accordance with EN1677-1, ASTM A952/A952M, and DIN PAS 1061 and suitable for use in chain slings certified to EN818-4.

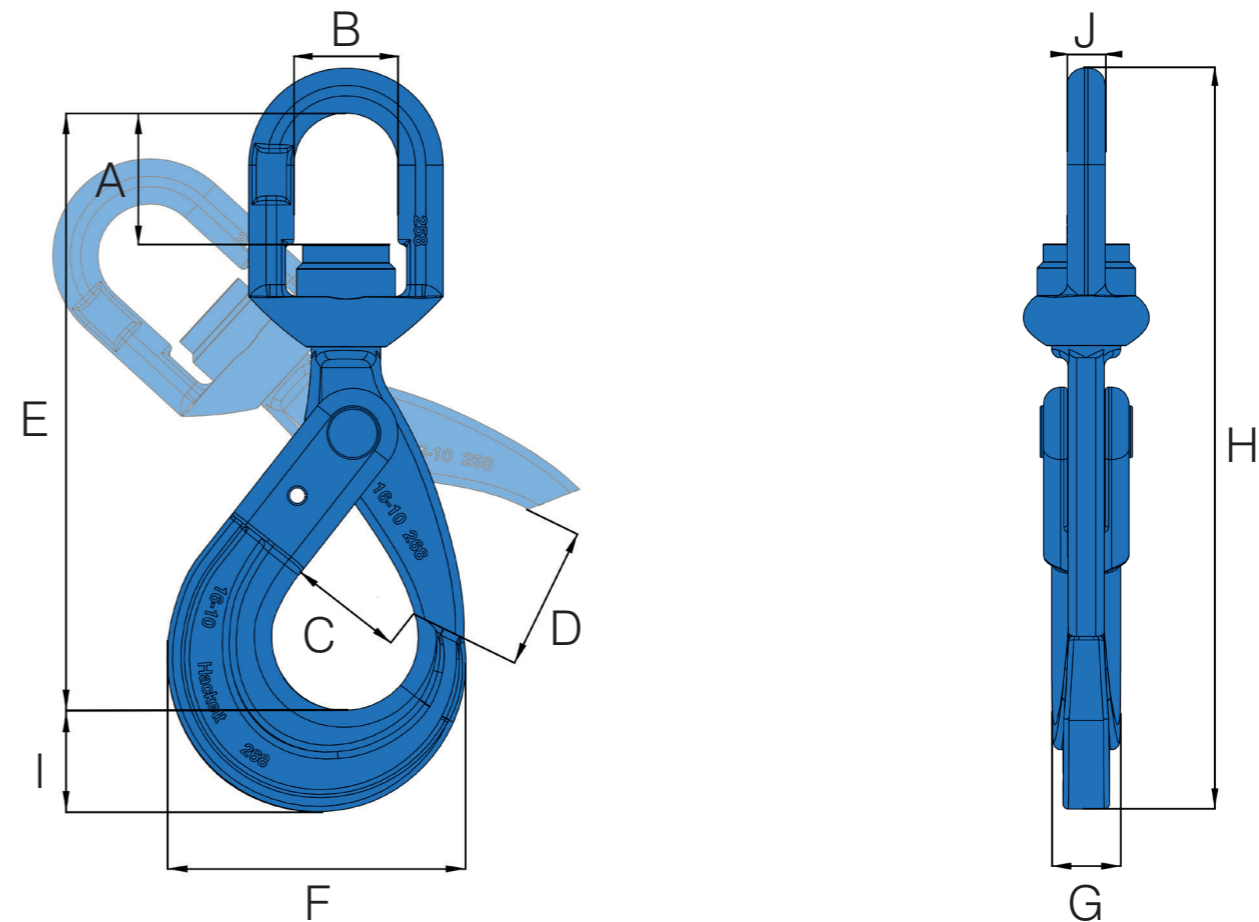
Product sizes: available for chain sizes from 5/16 inch to 1-1/4 inch and with working load limits from 5,700 lbs to 90,400 lbs.

Temperature: operational temperature range of - 40°C to + 200°C without reduction in working load limit.

Material: alloy steel.

Testing: crack detection following heat treatment, and proof load tested to 2.5 times working load limit.

Safety factor: 4 : 1.



Specifications

Part Code	Chain Size inch	A inch	B inch	C inch	D inch	E inch	F inch	G inch	H inch	I inch	J inch	Box Qty.	WLL lbs	Mass lbs
10-H14-08	5/16	1.57	1.61	1.38	1.50	7.99	3.54	0.85	9.61	1.02	0.51	12	5700	2.67
10-H14-10	3/8	2.01	1.89	1.77	1.89	9.61	4.25	1.00	11.38	1.06	0.61	7	8800	4.85
10-H14-13	1/2	2.32	2.17	2.11	2.48	11.61	5.43	1.26	13.94	1.57	0.67	4	15000	9.70
10-H14-16	5/8	2.60	2.44	2.44	2.95	13.70	6.69	1.50	16.69	1.97	0.85	3	22600	16.49
10-H14-20	3/4	2.99	2.99	2.99	3.35	15.71	7.52	1.97	19.25	2.44	1.04	2	35300	27.95
10-H14-22	7/8	3.94	3.82	3.11	3.94	18.46	8.07	2.05	22.28	2.56	1.30	1	42700	41.47
10-H14-26	1	4.69	4.84	3.94	4.21	22.24	9.88	2.36	27.09	3.19	1.65	1	59700	69.23
10-H14-32	1-1/4	6.02	5.98	5.63	5.98	26.77	12.95	2.95	32.68	3.98	2.05	1	90400	134.48